

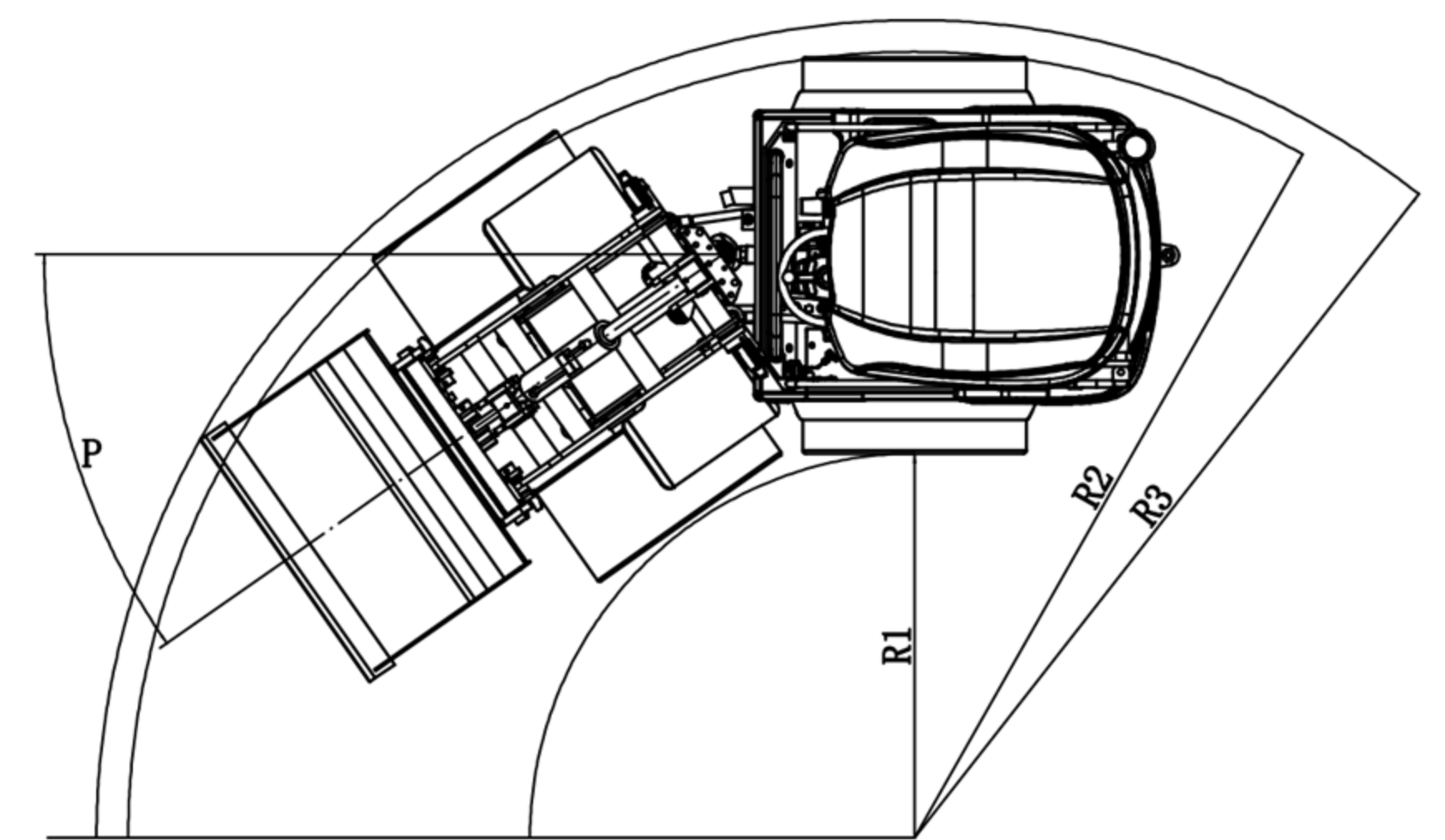
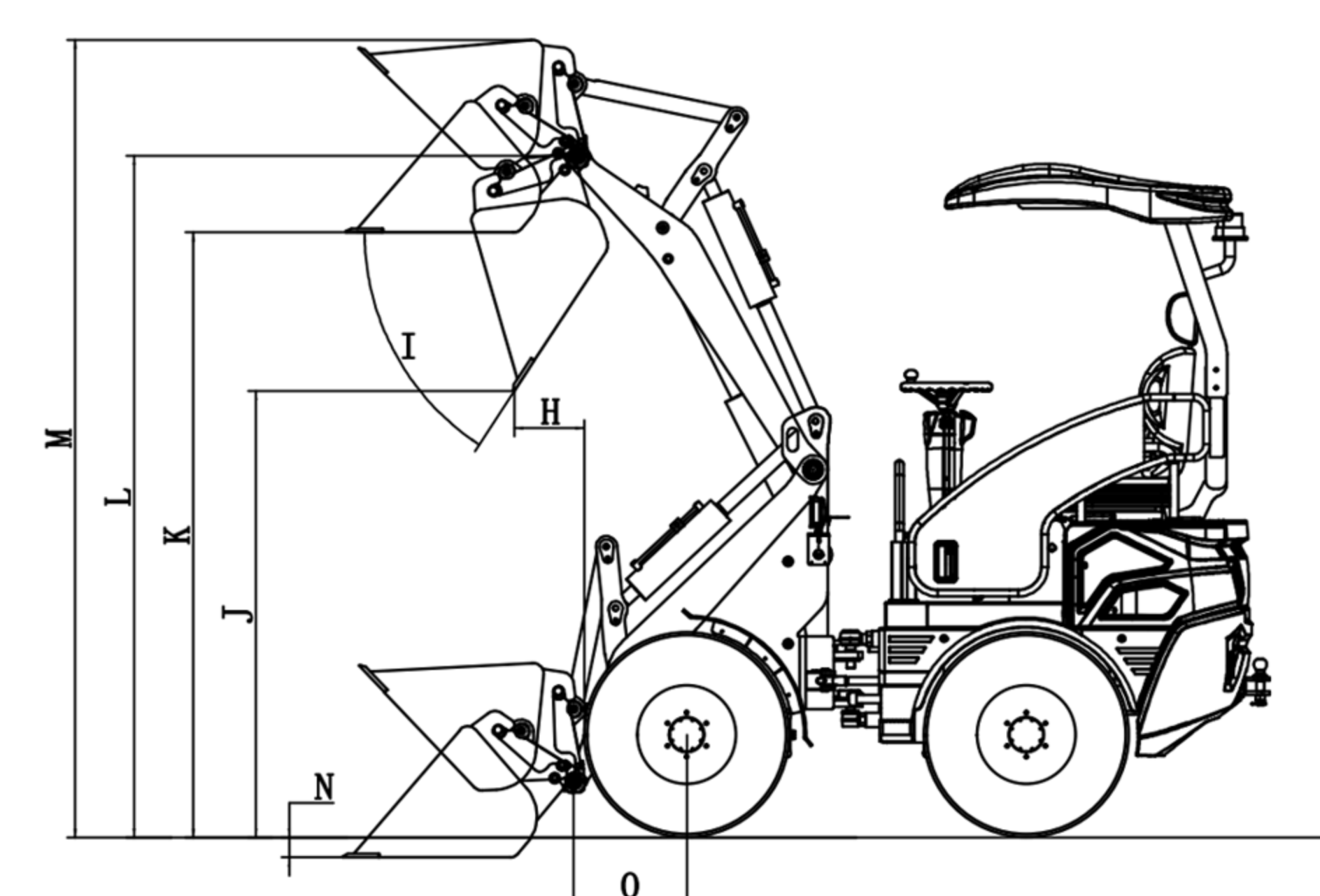
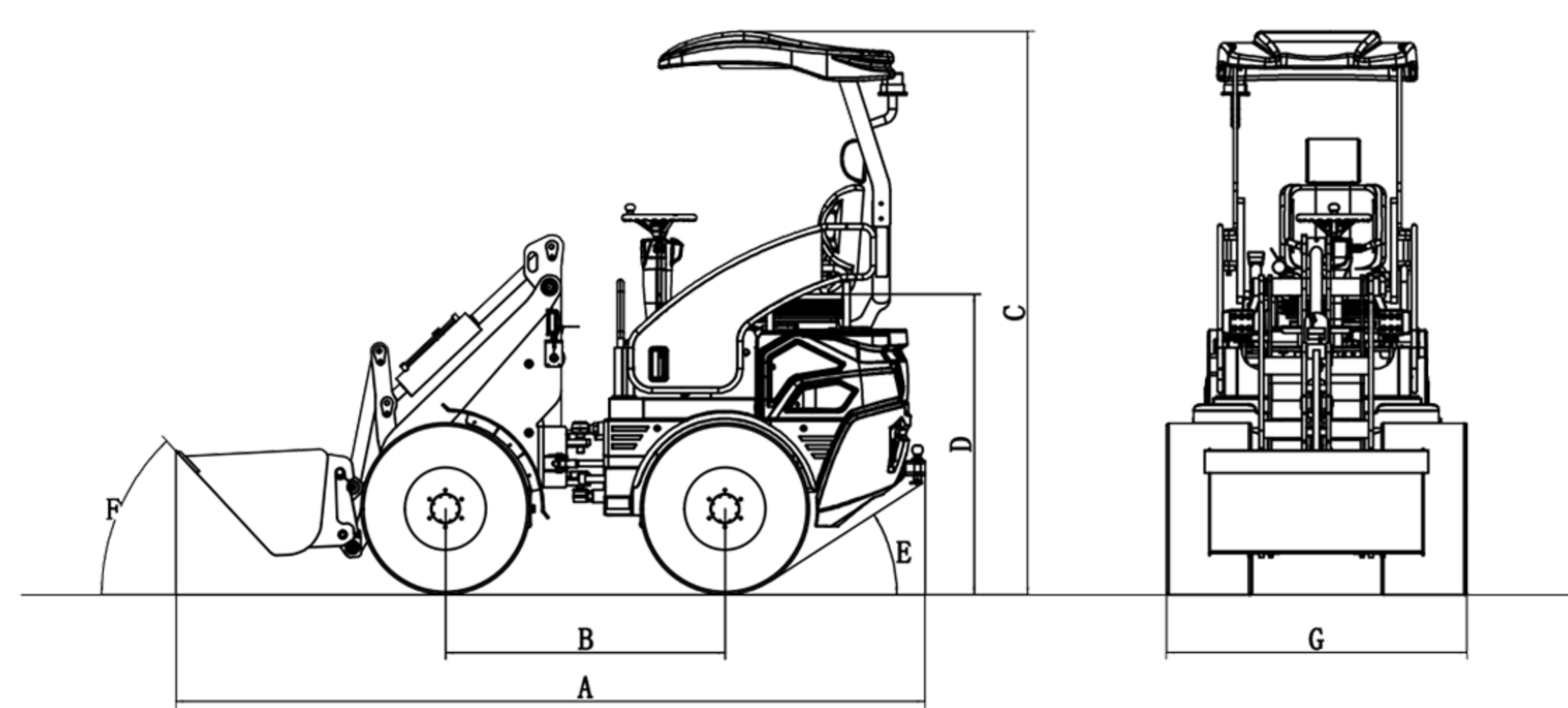
# RHINOCEROS

## XN905EV

### MINI LOADER

| SPECIFICATION         |                       |   |
|-----------------------|-----------------------|---|
| Operating weight      | 1800kg                |   |
| Operating capacity    | 0.27m³                |   |
| Max.tractive force    | 14 KN                 |   |
| Max.rising power      | 800                   |   |
| Driving forward speed | 7km/h                 |   |
| Ground clearance      | 310mm                 |   |
| Tire mode             | 31*15.50-15-15-12P/R3 |   |
| Power                 | Walking motor model   | 145Permanent Magnet Synchronous72V4.0KW100H |
|                       | Rated power           | 4kw   |
|                       | Max.torque            | 65Nm  |
| Hydraulic system      | Oil pump motor model  | TZ170XS04-M21                               |
|                       | Rated power           | 4kW   |
|                       | Max.torque            | 50Nm  |
|                       | Pump type             | Gear pump                                   |
|                       | Flow rate             | 40L/min                                     |
| Capacity              | Pressure              | 16Bar                                       |
|                       | Battery capacity      | 16.7kwh                                     |
|                       | Working voltage       | 72 V  |
|                       | Hydraulic oil         | 40 L  |

| OPERATING RANGE |                                   |        |
|-----------------|-----------------------------------|--------|
| A               | Total length with standard bucket | 3490mm |
| B               | Axle spacing                      | 1300mm |
| C               | Overall height                    | 2590mm |
| D               | Seat height                       | 1380mm |
| E               | Departure angle                   | 32.5°  |
| F               | Approach angle                    | 46.5°  |
| G               | Overall width                     | 1400mm |
| H               | Work distance                     | 270mm  |
| I               | Max.unloading angle               | 53°    |
| J               | Dumping height                    | 1710mm |
| K               | Level load height                 | 2315mm |
| L               | Bucket hinge point height         | 2610mm |
| M               | Overall working height            | 3055mm |
| N               | Max. horizontal pushing depth     | 75mm   |
| O               | Axis to bucket pin                | 435mm  |
| P               | Turning angle                     | 35°    |



|    |                           |        |
|----|---------------------------|--------|
| R1 | Inner turning radius      | 1360mm |
| R2 | Turning radius            | 2770mm |
| R3 | Horizontal passing radius | 2880mm |

[www.rhinoexcavator.com](http://www.rhinoexcavator.com)



SHANDONG KEN STONE HEAVY MACHINERY CO.,LTD



Address : Dingyuanzhai Industrial Park,Guan County,Liaocheng city, Shandong Province, China  
 Postal code : 252512  
 Website : [www.rhinoexcavator.com](http://www.rhinoexcavator.com)  
 E-mail : [office@sdxiniu.com](mailto:office@sdxiniu.com)

Factory visit

## XN905EV MINI LOADER