

RHINO CEROS

KS1000

MINI SKID STEER

DIMENSIONS (STD)		U.S.(in)	METRIC
A	Operating height, max std. bucket	117in	2980mm
D	Overall length of machine, std. bucket	117in	2980mm
E	Overall length of loader, no attachment	83.5in	2120mm
C	Overall machine height	56in	1420mm
	Machine weight (no attachment, fluids full)	3306lb	1500kg
	Operating capacity		
	35% tipping capacity	1058lb	480kg
	Tipping capacity	3022lb	1371kg
B	Hinge pin height, max	87in	2210mm
F	Wheelbase/ track length	46.5in	1180mm
I	Ground clearance, min		
	Center	5.7in	145mm
J	Angle of departure	33°	
P	Overall width	36.7in	932mm
Q	Total track width	36.2in	920mm
R	Track width	7in	180mm

POWER

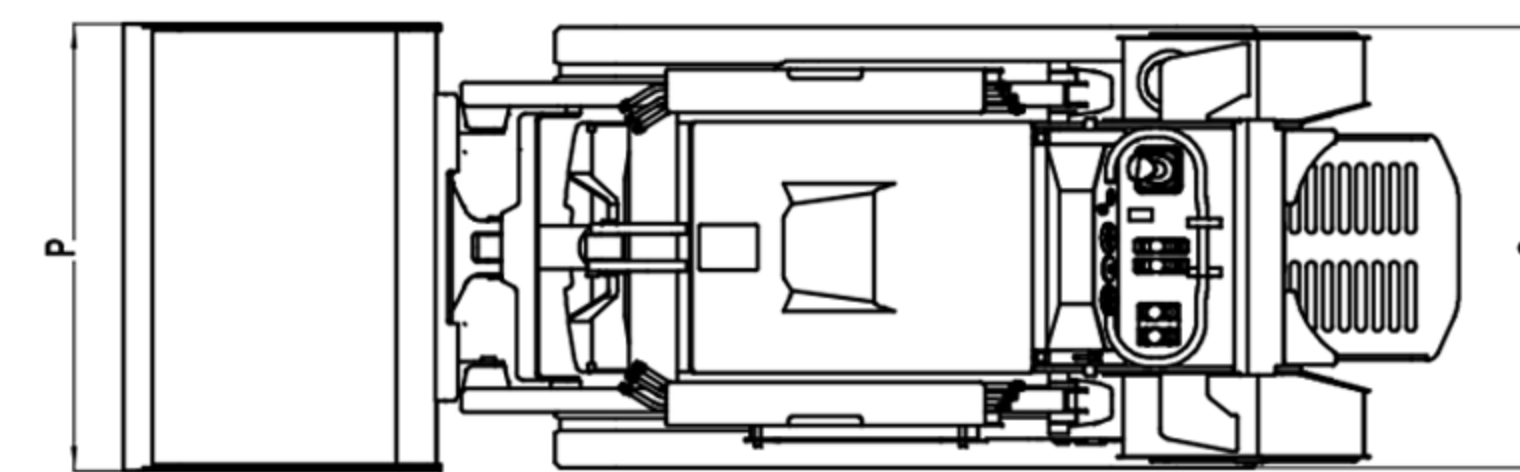
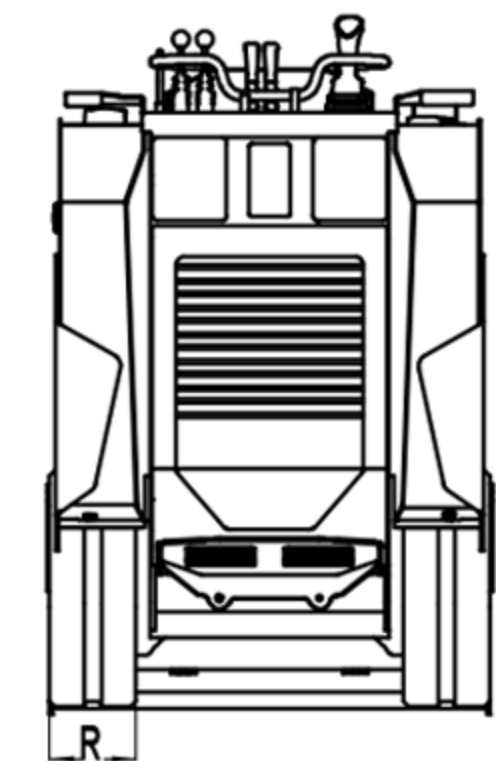
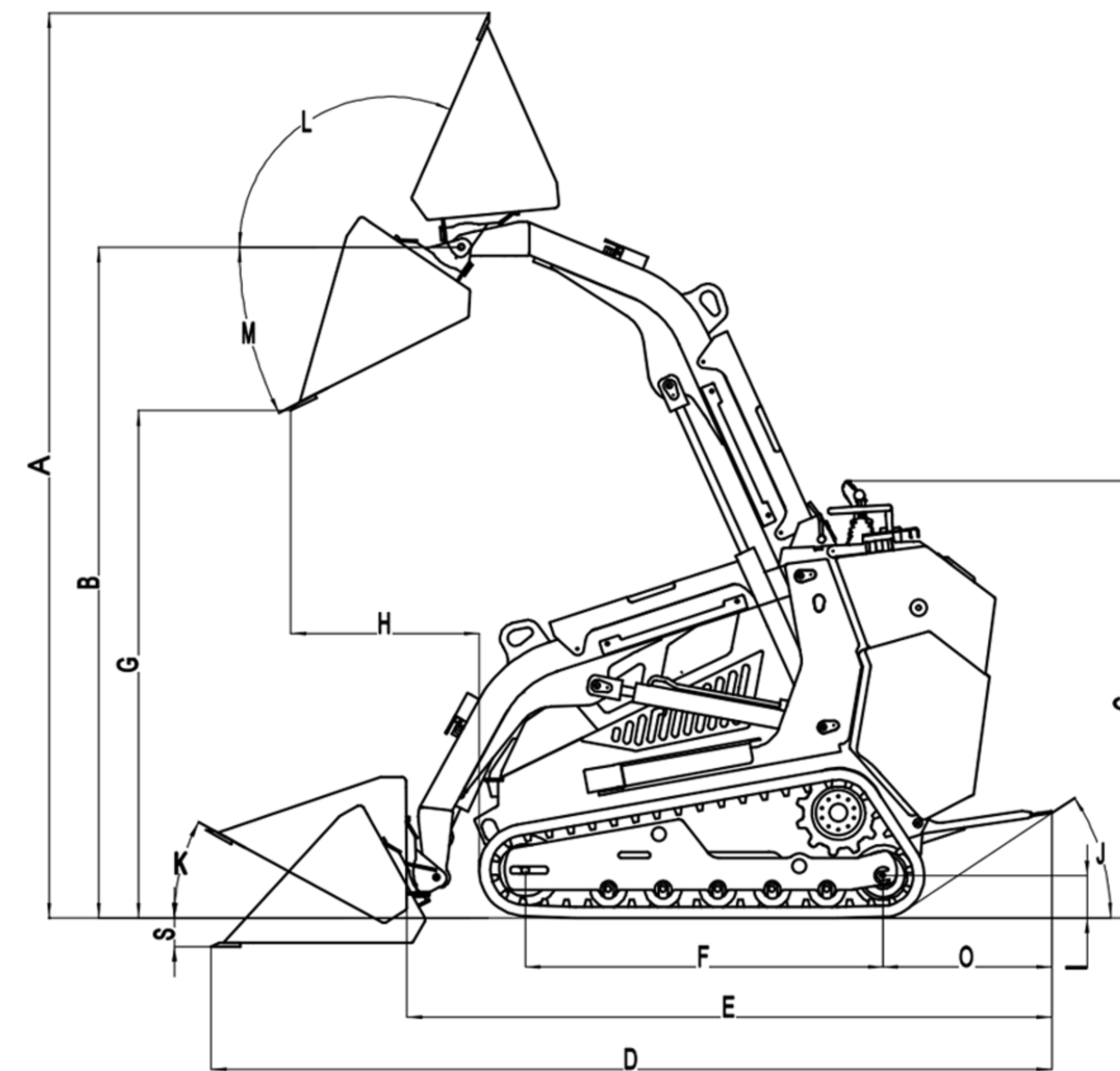
Model No.	Kubota D1703	
Fuel	Diesel	
Gross power rating	24.7hp	18.2kW
Emissions compliance	EPA Tier 4	EU Stage V
Number of cylinders	3	
Displacement	100.5in ³	1.647L
Bore	3.46 in	87mm
Stroke	3.64 in	92.4mm
Rated speed	2,200rpm	

OPERATION

Ground drive speed		
Forward/Reverse	4mph	6.5km/h
Ground pressure(ISO/CD 16754)		
9-in(230-mm)tracks	4.5psi	0.31bar

HYDRAULIC SYSTEM

Auxiliary circuit		
Gear pump		
Flow rate (pump #1)	15gpm	56.8L/min
Pressure	3,190psi	220bar
Dual hydrostatic ground drive pumps		
Flow rate	22.1gpm	83.6L/min
Pressure	3,190psi	220bar



FLUID CAPACITIES

Fuel tank capacity	10.5gal
Lubricating oil capacity	1.3gal
Hydraulic reservoir capacity	9.5gal

BATTERY

SAE reserve capacity rating	110min
SAE cold crank @ 0°F (-18°C)	800amps
Electrical system	12V

www.rhinoexcavator.com



SHANDONG KEN STONE HEAVY MACHINERY CO.,LTD



Address : Dingyuanzhai Industrial Park, Guan County, Liaocheng city, Shandong Province, China
 Postal code : 252512
 Website : www.rhinoexcavator.com
 E-mail : office@sdxiu.com

Factory visit

KS1000
MINI SKID STEER