

RHINOCEROS

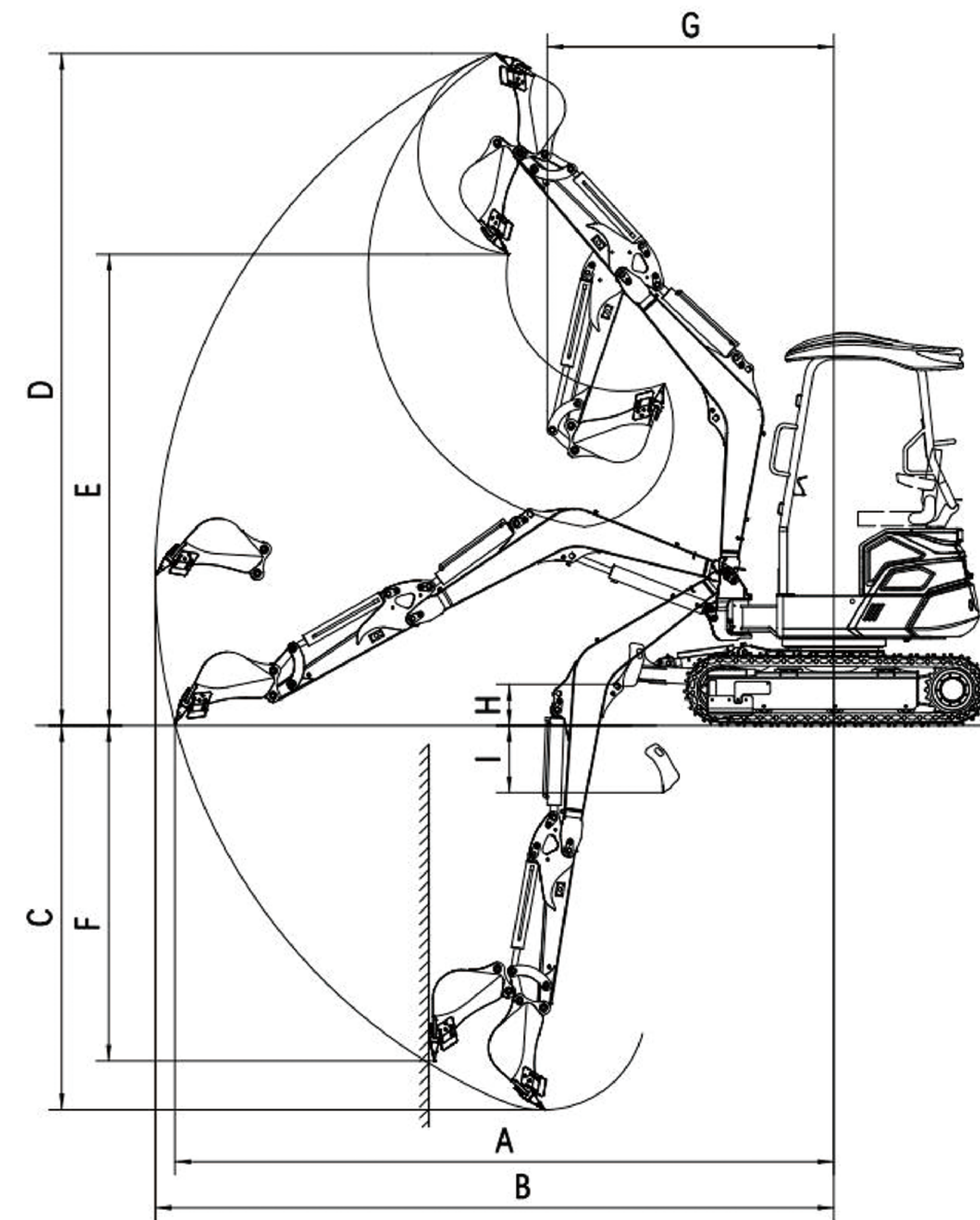
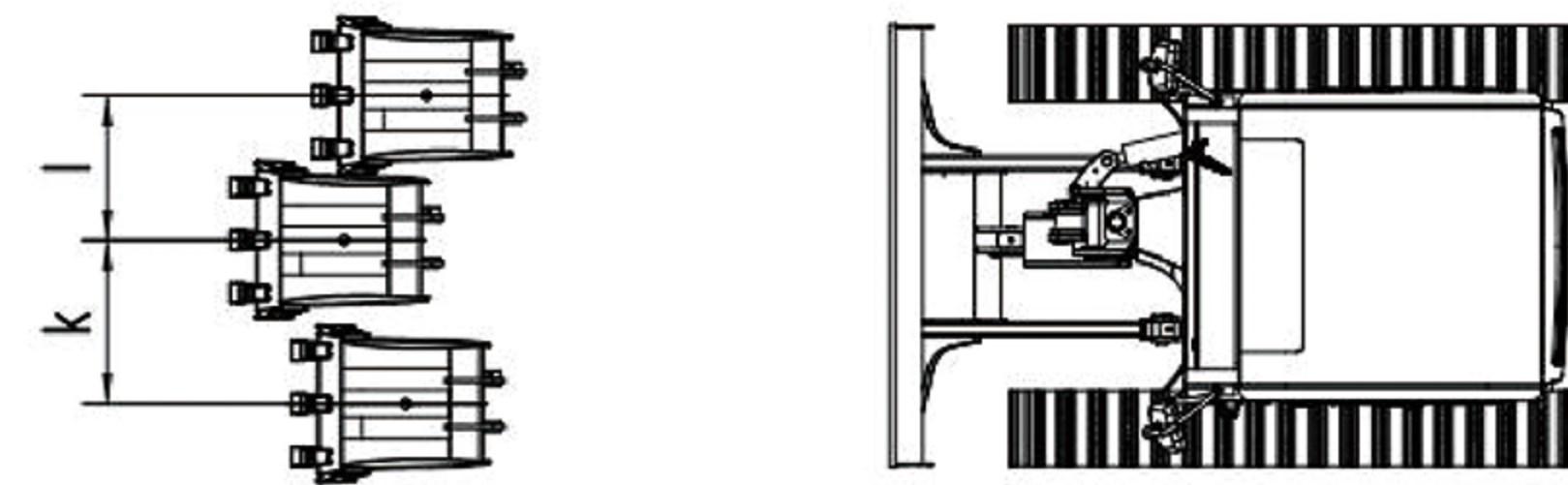
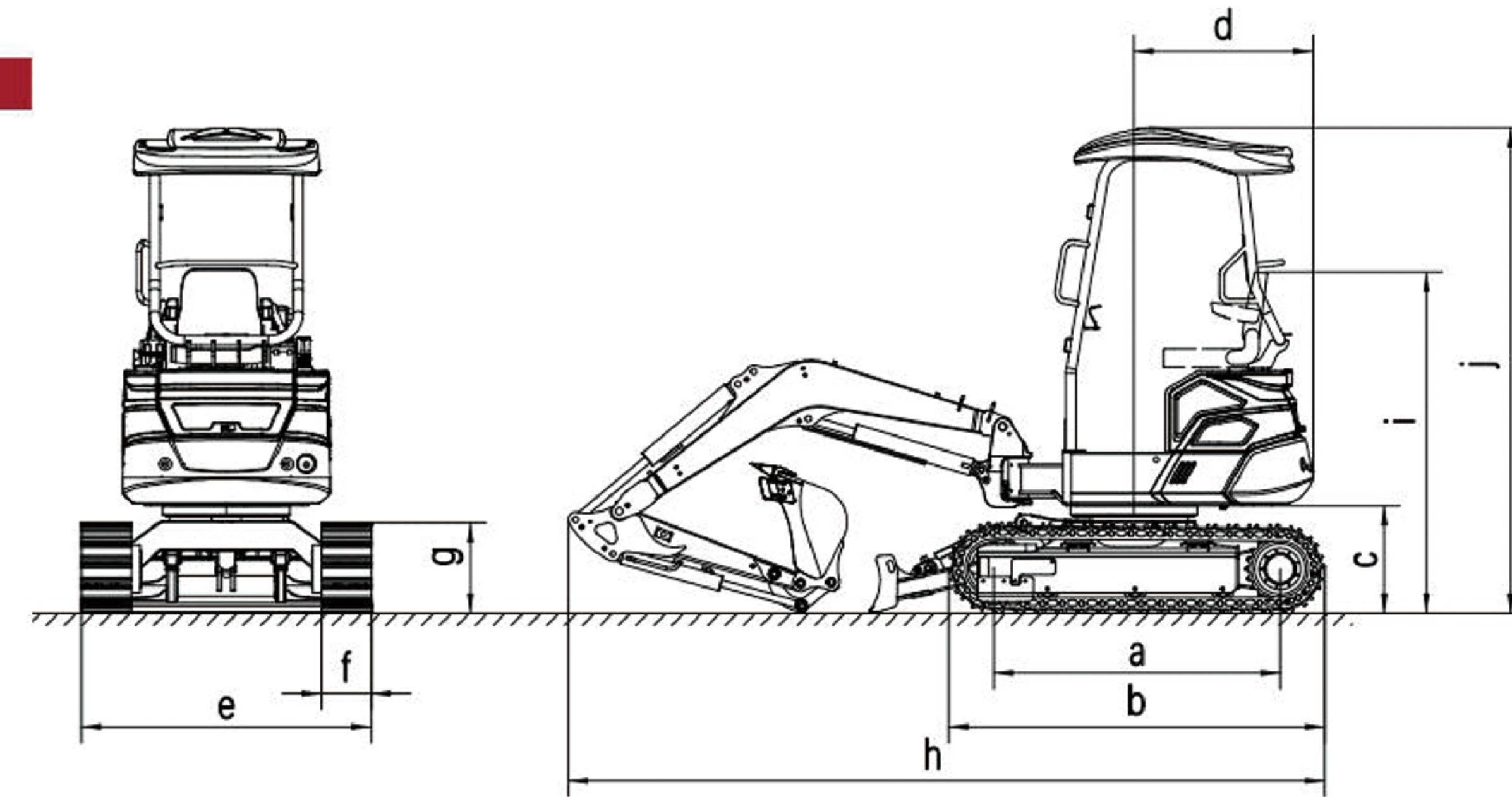
XN25C

CRAWLER EXCAVATOR

MACHINE SIZE	U.S.(in)	METRIC(mm)
a Wheel base	56.7	1440
b Track length	74.5	1892
c Upper chassis ground clearance	21.1	535
d Counterweight turning radius	35.4	900
e Chassis width	57.2	1454
f Track width	9.8	250
g Track height	17.9	455
h Traveling length	149.6	3800
i Height of seat to ground	67.5	1715
j Overall height	96.1	2440
k Boom swing (left)	21.2	539
l Boom swing (right)	18.8	477

OPERATING RANGE	U.S.(in)	METRIC(mm)
A Max. digging radius on ground	160.9	4088
B Max. digging radius	165.7	4210
C Max. digging depth	94.3	2396
D Max. digging height	163.5	4153
E Max. unloading height	114.5	2909
F Max. vertical digging depth	82.4	2093
G Min. turning radius	70	1777
H Max. Lifting height dozer blade	10.1	257
I Max. digging depth dozer blade	16.3	413

SPECIFICATION		
Operating weight	2320 kg	
Bucket capacity	0.04 cbm	
Working device type	Backhoe	
Engine	Model No.	Kubota D1105
	Displacement(L)	1.123
	Rated power(kw)	14.2
	Max. torque(N.m)	71.4
Speed	Max. travel speed(km/h)	3.3/2.2
	Swing speed(rpm)	10.5
	Max. grade ability	30°
Hydraulic system	Pump type	Piston pump
	Operating pressure(Mpa)	22
	Flow rate(L/min)	61.6
	Hydraulic oil tank capacity(L)	15.3
	Fuel tank capacity(L)	18



www.rhinoexcavator.com



SHANDONG KEN STONE HEAVY MACHINERY CO.,LTD



Address : Dingyuanzhai Industrial Park, Guan County, Liaocheng city, Shandong Province, China
 Postal code : 252512
 Website : www.rhinoexcavator.com
 E-mail : office@sdxiniu.com

Factory visit

XN25C CRAWLER EXCAVATOR