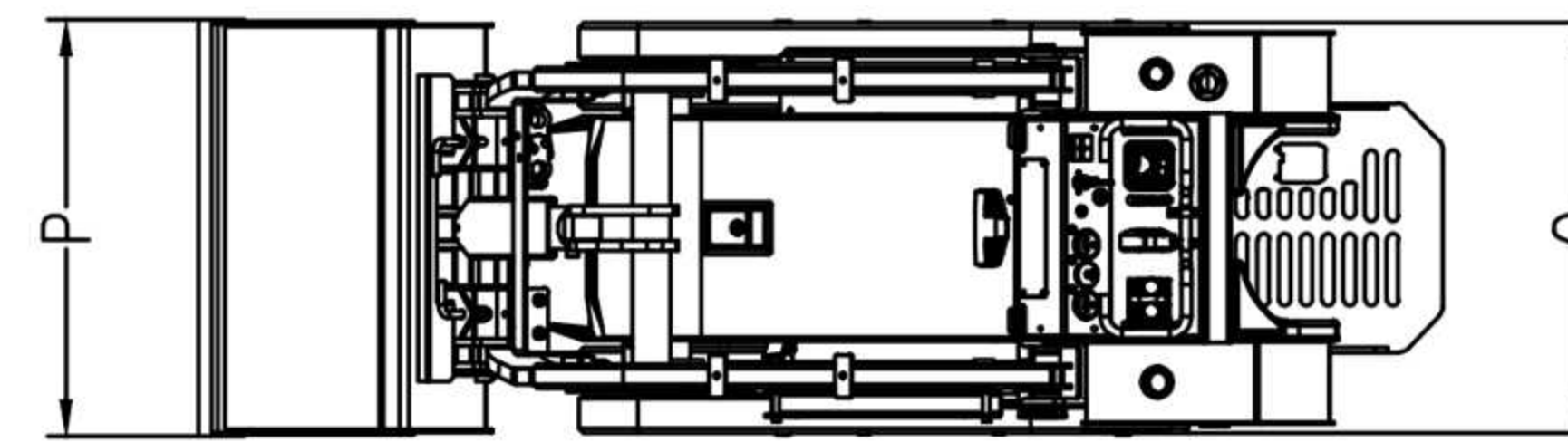
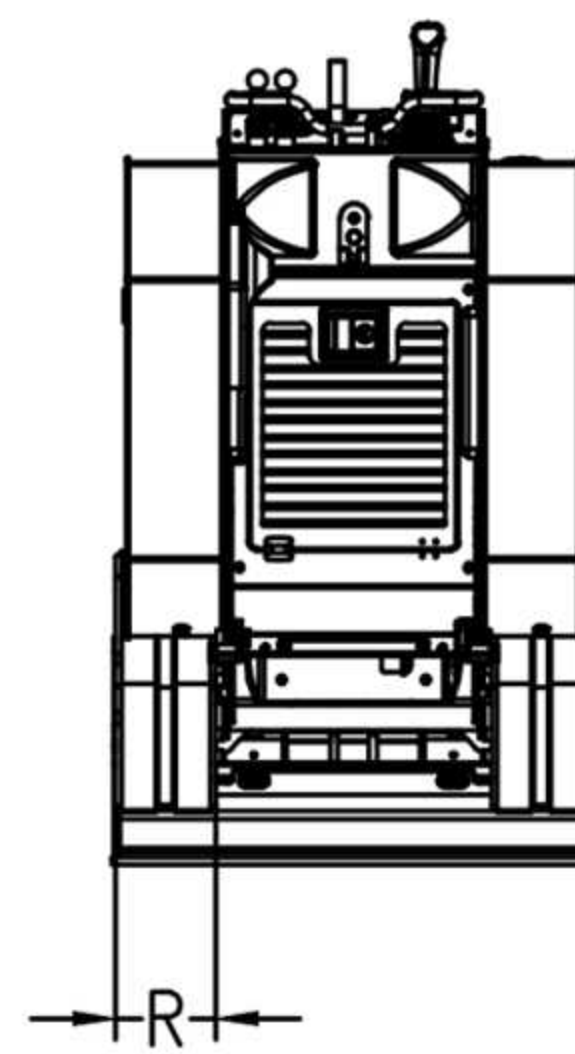
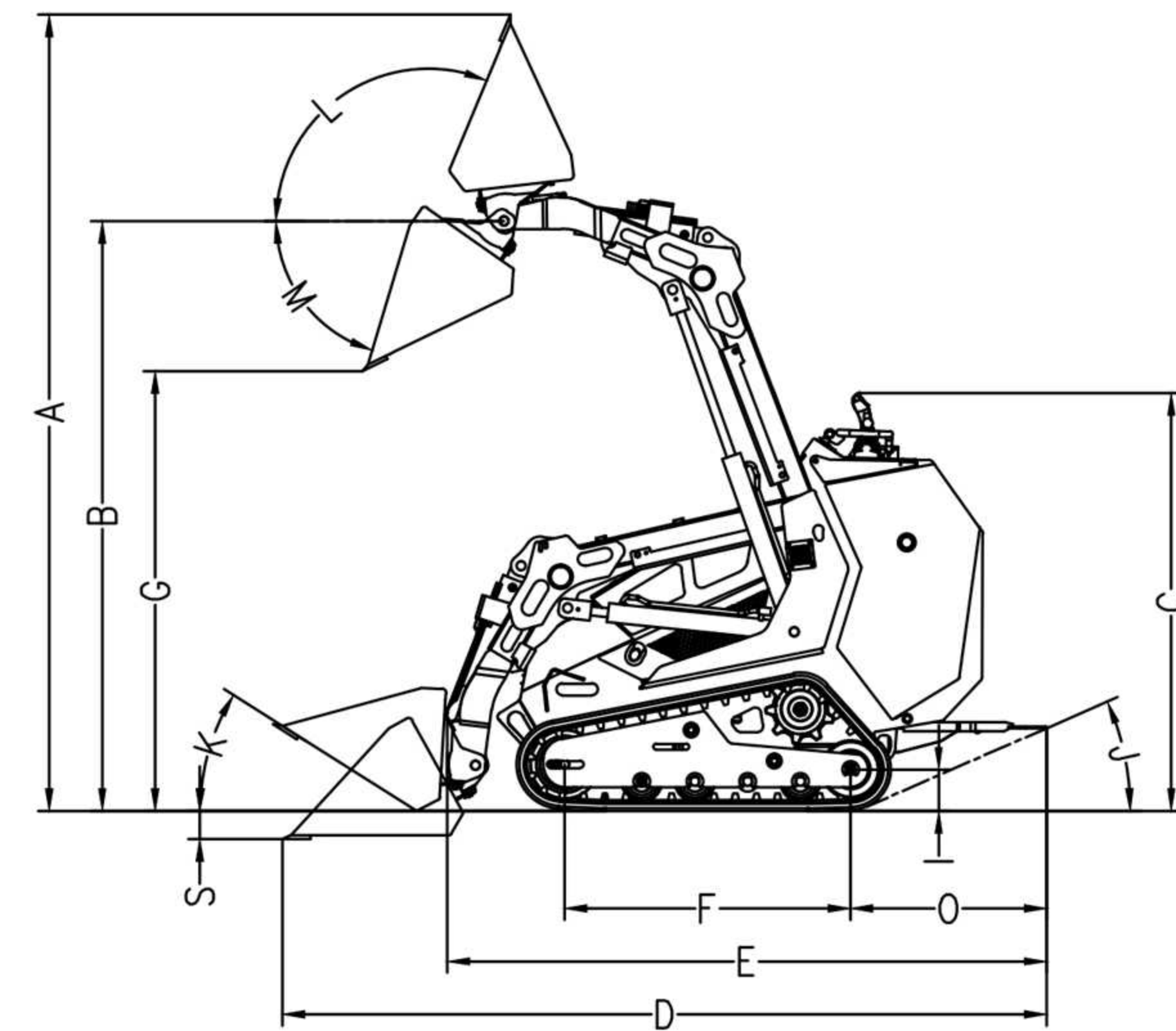


# RHINOCEROS

## KS825

### MINI SKID STEER

DIMENSIONS (STD)	U.S.	METRIC
Machine weight (no attachment, fluids full)	2337lb	1060kg
Operating capacity		
35% tipping capacity	500lb	227kg
Tipping capacity	1428lb	648kg
A Operating height, max std. bucket	107in	2710mm
B Hinge pin height, max	78.7in	2000mm
C Overall machine height	56in	1420mm
D Overall length of machine, std. bucket	102in	2600mm
E Overall length of loader, no attachment	80.3in	2040mm
F Wheelbase/track length	38in	972mm
I Ground clearance, min	5.5in	140mm
J Angle of departure	24°	
P Overall width	34in	870mm
Q Total track width	33.7in	857mm
R Track width	7in	180mm
POWER	U.S.	METRIC
Engine Model No.	Kubota D902	
Fuel	Diesel	
Gross power rating	15.8hp	11.8kw
Emissions compliance	EPA Tier 4	EU Stage V
Number of cylinders	3	
Displacement	54.8in <sup>3</sup>	0.898L
Bore	2.83in	72mm
Stroke	2.9in	73.6mm
Rated speed	2300rpm	
OPERATION	U.S.	METRIC
Ground drive speed		
Forward/Reverse	2.68mph	4.32km/h
Ground pressure(ISO/CD 16754)		
7-In(180-mm)tracks	4.35psi	0.3bar
HYDRAULIC SYSTEM I		
Plunger pump		
Flow rate	17gpm	64.4L/min
Pressure	3,190psi	200bar



FLUID CAPACITIES	
Fuel tank capacity	12.5gal
Lubricating oil capacity	1.3gal
Hydraulic reservoir capacity	12.5gal
BATTERY	
SAE reserve capacity rating	110min
SAE cold crank@ 0° F (-18°C)	800amps
Electrical system	12V

[www.rhinoexcavator.com](http://www.rhinoexcavator.com)



SHANDONG KEN STONE HEAVY MACHINERY CO.,LTD



Factory visit

Address : Dingyuanzhai Industrial Park, Guan County, Liaocheng city, Shandong Province, China  
 Postal code : 252512  
 Website : [www.rhinoexcavator.com](http://www.rhinoexcavator.com)  
 E-mail : [office@sdxiniu.com](mailto:office@sdxiniu.com)

## KS825 MINI SKID STEER