

RHINOCEROS

XN12EV

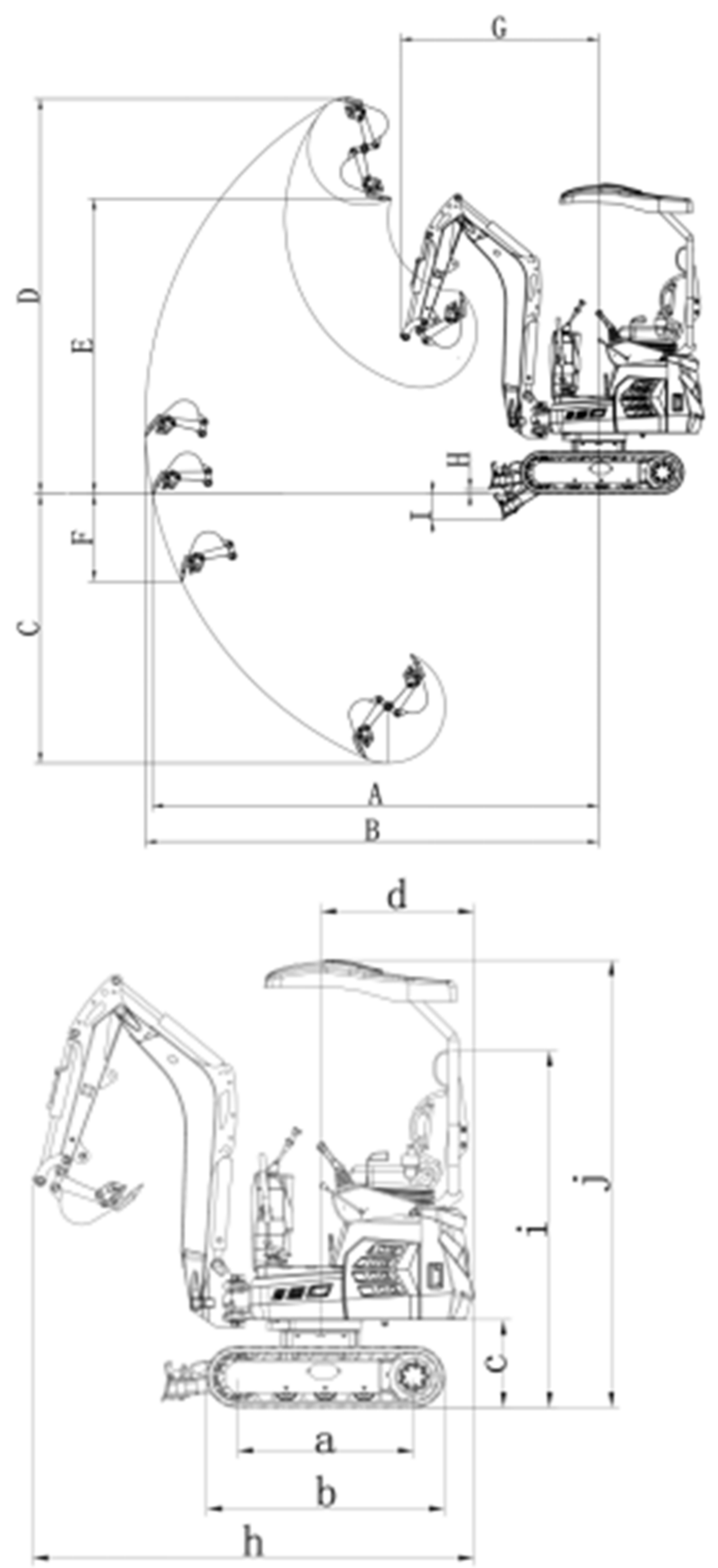
ELECTRIC EXCAVATOR

OPERATING RANGE

A	Max.digging radius on ground	3360mm
B	Max.digging radius	3420mm
C	Max. digging depth	2030mm
D	Max. digging height	2980mm
E	Max. dumping height	2230mm
F	Max. vertical digging depth	660mm
G	Min. swing radius	1500mm
H	Max. lifting height of the bulldozer	145mm
I	Max. digging depth of the bulldozer	200mm

SPECIFICATION

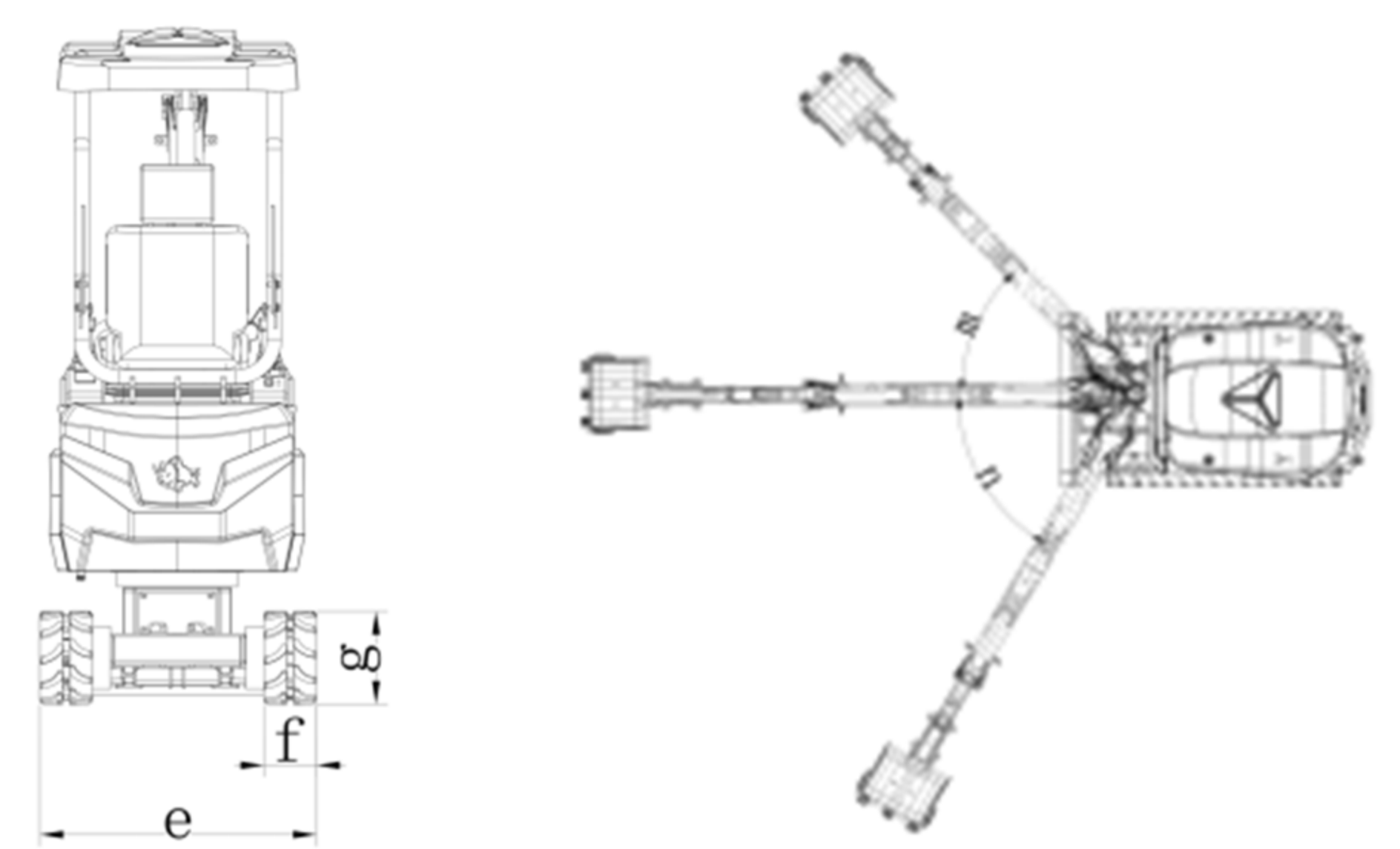
Operating weight	1050kg	
Working device form	Backhoe	
Standard bucket capacity	0.02 cbm	
Electric motor	Model No.	TZXQD112-6-1.0T-9
	Rated power	4 KW
	Max. torque	22.7N.m
Speed	Max.travel speed	1.5 km/h
	Rotary speed	10rpm
	Max. gradeability	30°
Track material	Rubber	
Tensioner type	Screw adjustment	
Ground pressure	30.11Kpa	
Hydraulic and liquid capacity	Pump type	Gear pump
	Work pressure	16 MPa
	Flow rate	22 L/min
	Hydraulic oil tank capacity	15 L
Battery	Battery capacity	17.66 kwh



MAIN DIMENSIONS

a	Wheel base	1120mm
b	Track length	1435mm
c	Platform ground clearance	460mm
d	Tail swing radius	796mm
e	Chassis width	800(950)mm
f	Track width	180mm
g	Track height	320mm
h	Transport length (Arm standing/lying)	2290/3030mm
i	Seat height to the ground	1863mm
j	Overall height	2295mm
m	Boom swing - left	50°
n	Boom swing - right	55°

www.rhinoexcavator.com



SHANDONG KEN STONE HEAVY MACHINERY CO.,LTD



Address : Dingyuanzhai Industrial Park,Guan County,Liaocheng city, Shandong Province, China
 Postal code : 252512
 Website : www.rhinoexcavator.com
 E-mail : office@sdxiniu.com

Factory visit

XN12EV

ELECTRIC EXCAVATOR