

RHINOCEROS

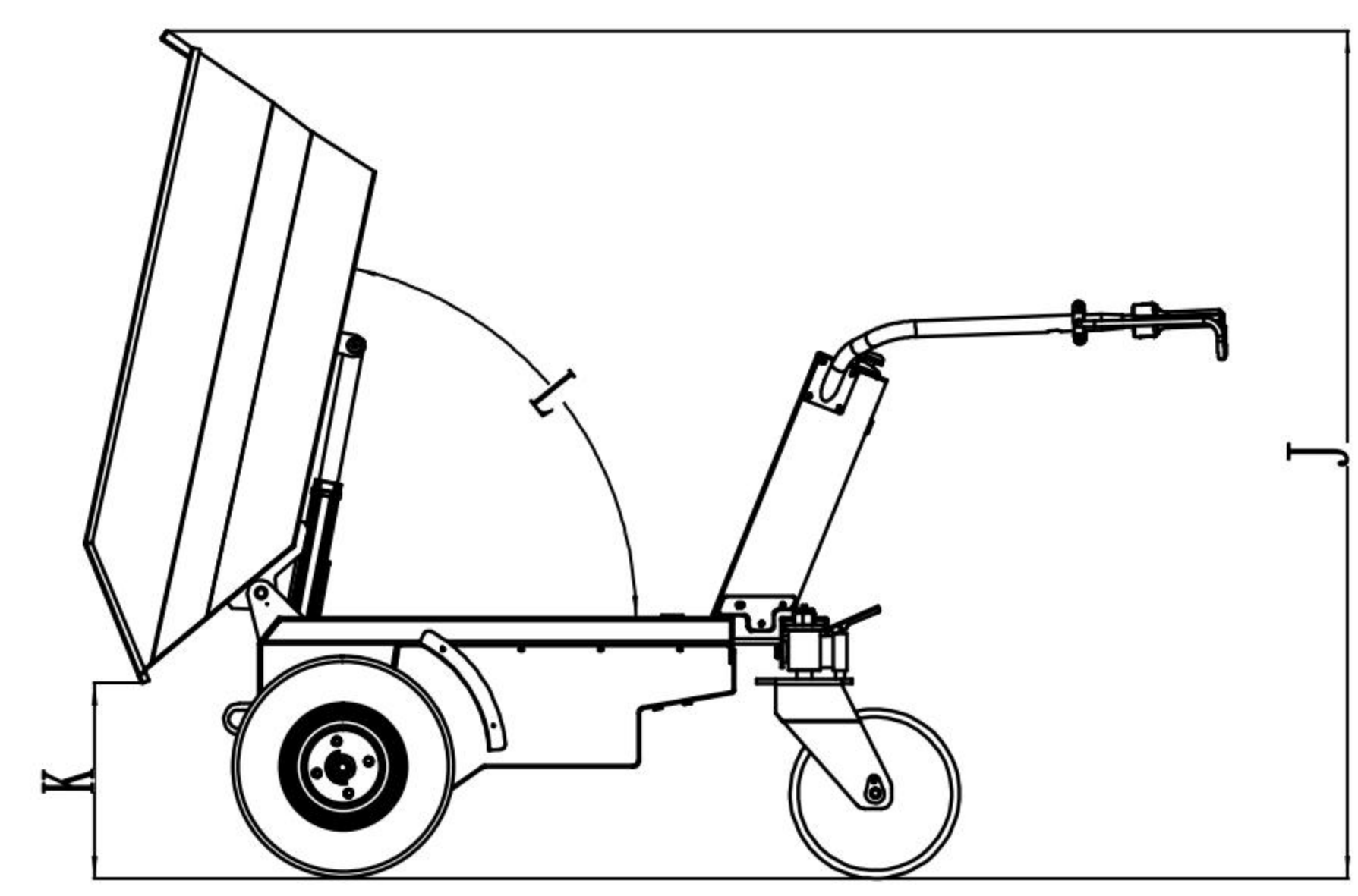
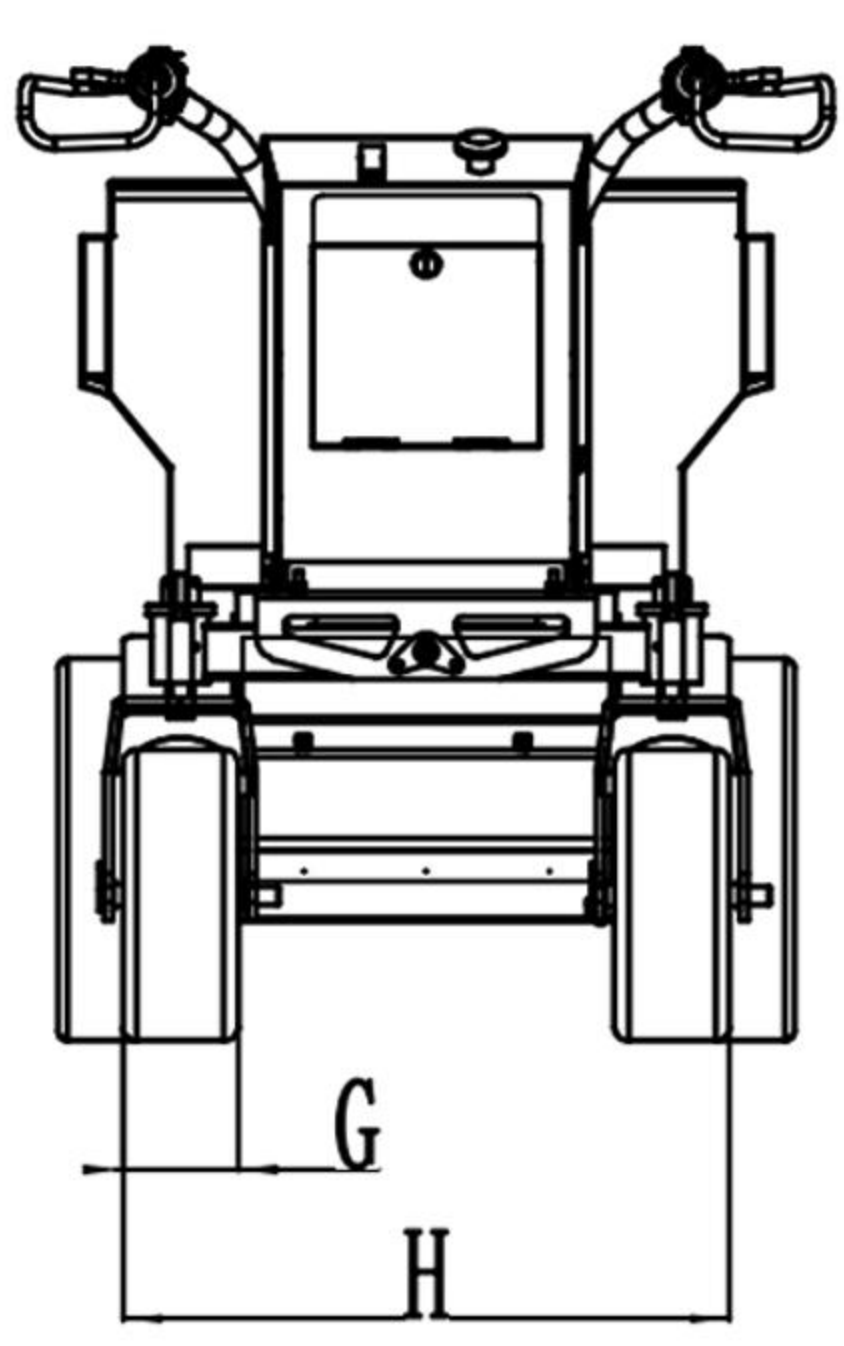
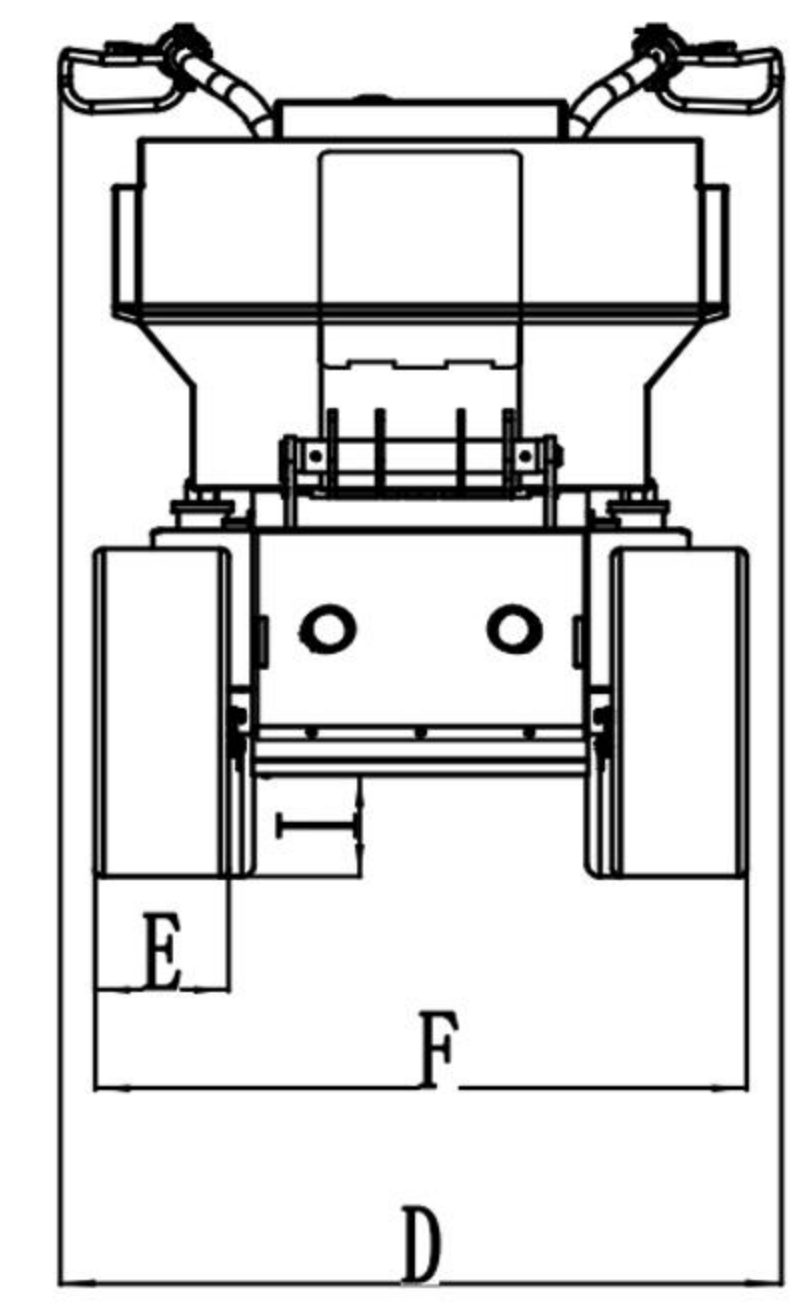
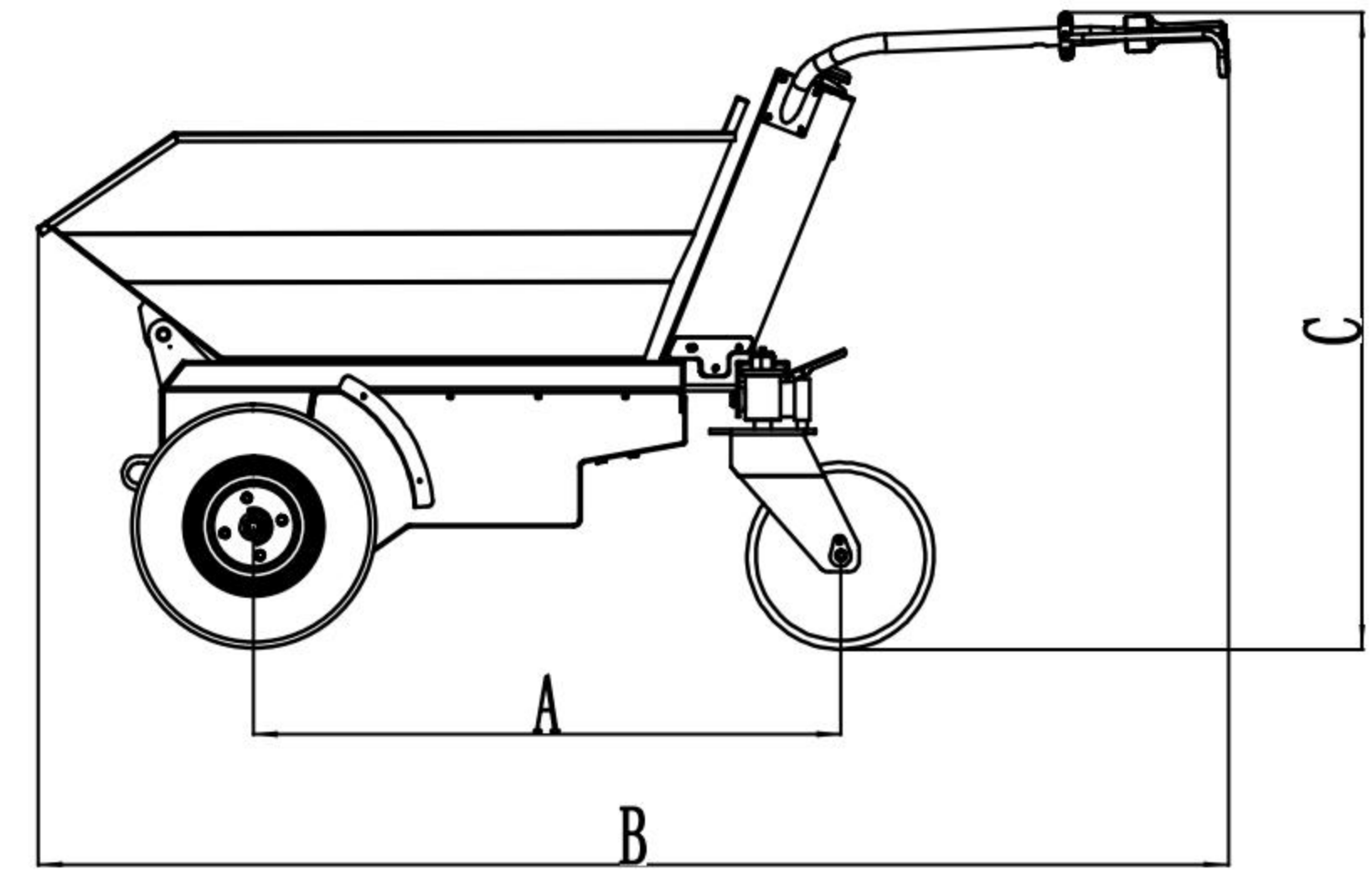
XN450E

MINI DUMPER

PERFORMANCE PARAMETERS

Electrical machinery	Model	Permanent Magnet DC Brushless Motor
	Rated output power	0.8kw
	Rotating speed	3000rpm
Speed	Forward	5.0km/h
	Backward	3.0km/h
	Full load climbing slope	15%
Battery	Type	Lead-Acid Battery
	Battery capacity	1.5kwh
Front Tire Model, Rear Tire Model	16"0.5-8	
Rear Tire Model	13"0.5-6	
Maximum Load Weight	400kg	
Bucket capacity	0.2m³	
Total Weight	210kg	

OPERATING RANGE		METRIC	U.S.
A	Axle spacing	1005mm	39.6in
B	Length	2038mm	80.2in
C	Height	1090mm	42.9in
D	Width	860mm	33.9in
E	Front tire width	160mm	6.3in
F	Front axle spacing	778mm	30.6in
G	Rear tire width	112mm	4.8in
H	Rear axle spacing	642mm	25.3in
I	Minnum height	131mm	5.2in
J	Hopper top height when unlocking	1062mm	41.8in
K	Hopper bottom height when unlocking	369mm	14.5in
L	Hopper tilting angle	70°	



www.rhinoexcavator.com



SHANDONG KEN STONE HEAVY MACHINERY CO.,LTD



Address : Dingyuanzhai Industrial Park,Guan County,Liaocheng city, Shandong Province, China
 Postal code : 252512
 Website : www.rhinoexcavator.com
 E-mail : office@sdxiniu.com

Factory visit

XN450E MINI DUMPER