

RHINOCEROS

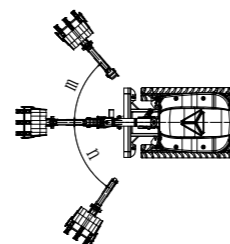
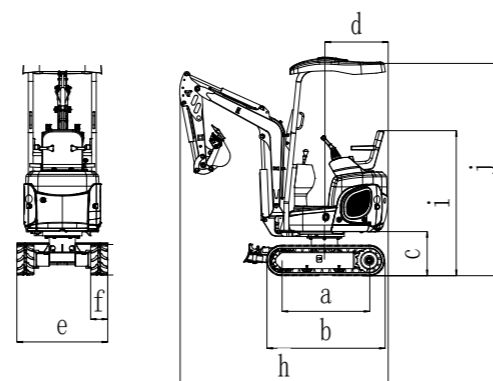
XN12-9

CRAWLER EXCAVATOR

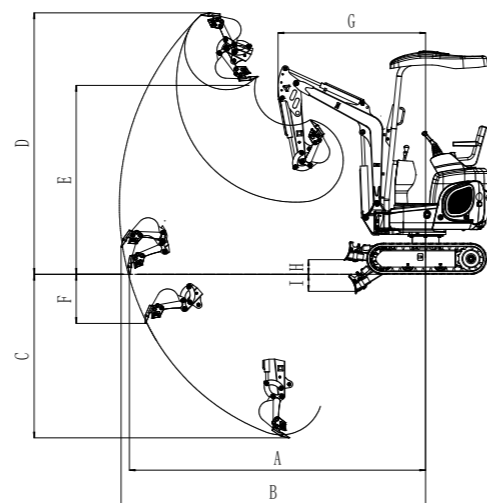
SPECIFICATION		
Operating weight		1080kg
Standard bucket capacity		0.02m ³
Working device type		Backhoe
Engine	Brand	KUBOTA
	Displacement	0.898L
	Rated power/rpm	11.8 Kw/2300r/min
	Max. torque	51.3N.m/1800r/min
Speed	Max. travel speed	1.5km/h
	Swing speed	11rpm
	Max. Gradeability	30°
Tracks	Ground pressure	34.64KPa
	Material	Rubber or steel
	Type of tensioner	Screw adjustment
Hydraulic system	Pump type	Gear pump
	Working pressure	16MPa
	Flow rate	18.4L/min
Capacity	Hydraulic oil tank	16L
	Fuel tank	11L

OPERATING RANGE		
A	Max. digging radius on ground	mm 3040
B	Max. digging radius	mm 3135
C	Max. digging depth	mm 1580
D	Max. digging height	mm 2620
E	Max. unloading height	mm 2000
F	Max. vertical digging depth	mm 1580
G	Min. turning radius	mm 1510
H	Max. lifting height dozer blade	mm 140
I	Max. depth dozer blade	mm 200

MAIN DIMENSION		
a	Wheel base	mm 910
b	Track length	mm 1235
c	Upper chassis ground clearance	mm 460
d	Counterweight turning radius	mm 660
e	Chassis width	mm 800/950
f	Track width	mm 180
g	Track height	mm 320
h	Transportation length	mm 2170/2850
i	Height of seat to ground	mm 1520
j	Overall height	mm 2270
m	Boom swing - left	50°
n	Boom swing - right	55°



Main dimensions schematic diagram



Working range schematic diagram

SHANDONG KEN STONE HEAVY MACHINERY CO.,LTD



Address : Dingyuanzhai Industrial Park, Guan County, Liaocheng city, Shandong Province, China
 Hotline : 0086-635-8362550
 Postal code : 252512
 Website : www.rhinoexcavator.com
 E-mail : office@sdxiniu.com

Factory visit



XN12-9 CRAWLER EXCAVATOR



We reserve the right to improve or withdraw the specification or products without prior notice.