

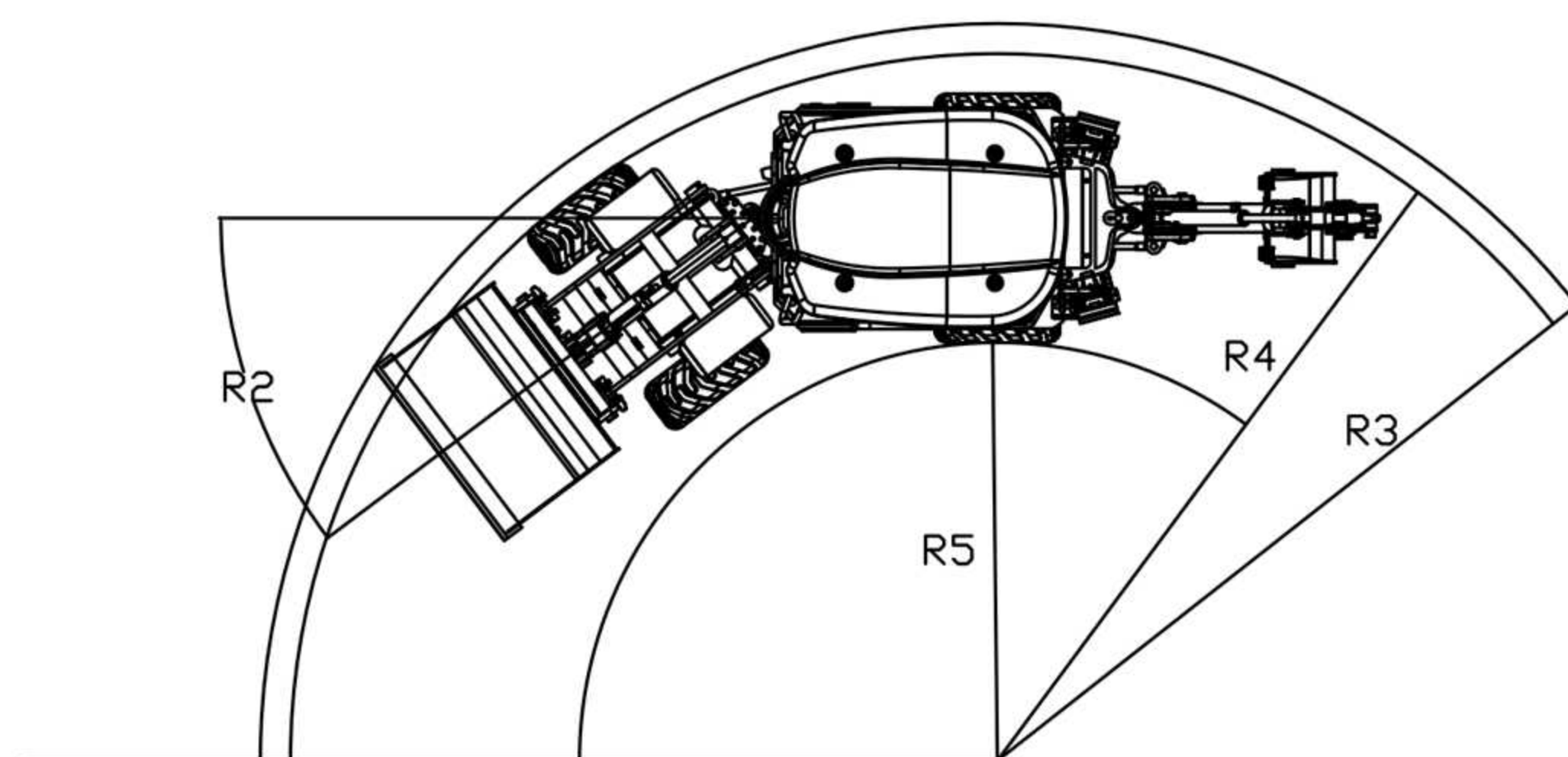
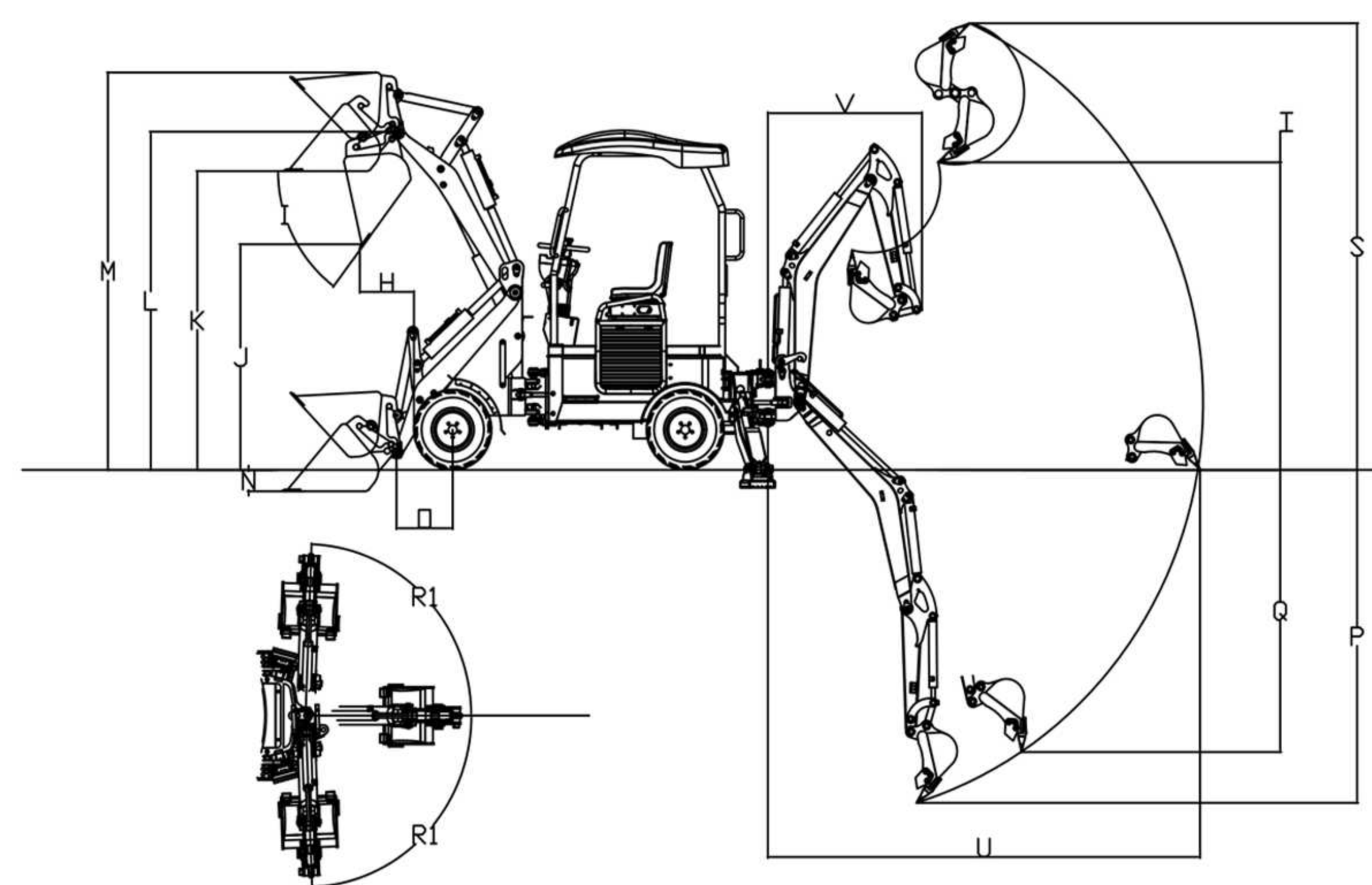
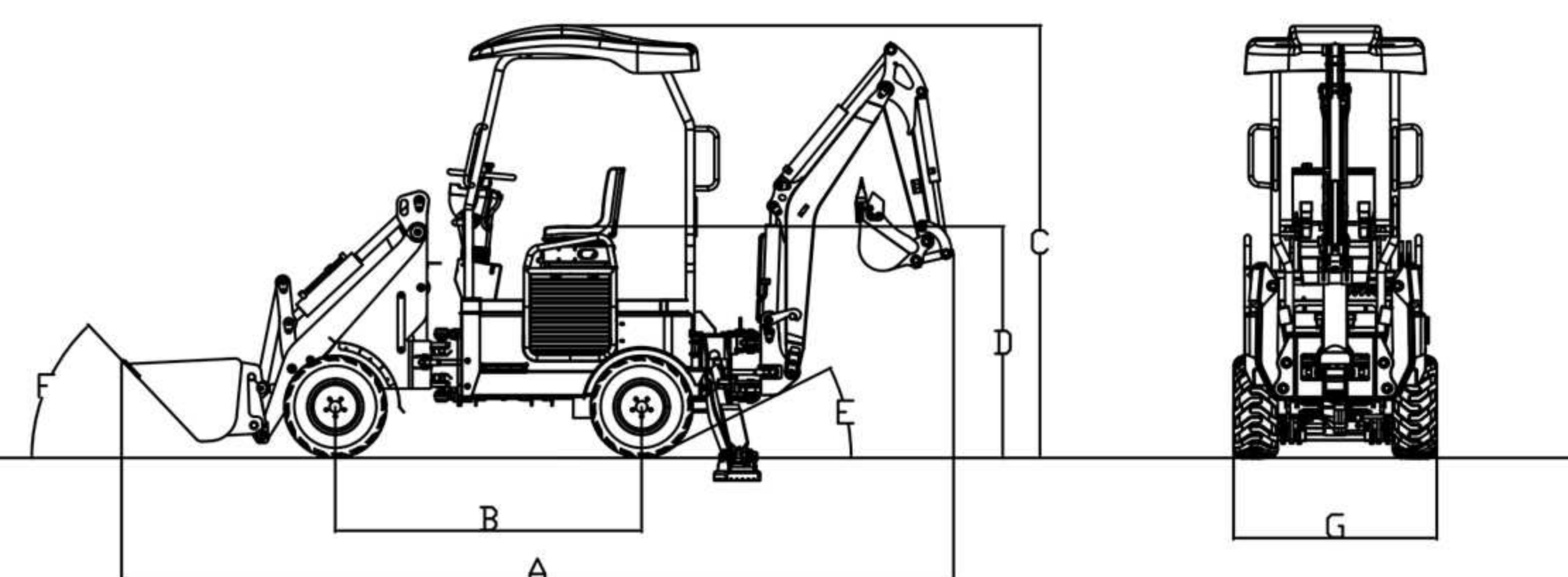
RHINOCEROS

XN228

BACKHOE LOADER

SPECIFICATION		
Operating weight		2280kg
Working device form		Backhoe
Loading bucket capacity		0.27m ³
Digging bucket capacity		0.04m ³
Engine	Model No.	KUBOTA D1105
	Displacement	1.132L
	Rated power	14.0 KW/2200r/min
	Max. torque	70.3 N.m/1600r/min
Speed and digging force	Max. travel speed	9.2 km/h
	Max. traction force	14 KN
	Max. rising power	800 KG
Hydraulic and liquid capacity	Pump type	Piston pump
	Work pressure	210 Bar
	Flow rate	110 L/min
	Hydraulic oil tank capacity	50 L
	Fuel tank capacity	55 L
Brake system	Driving brake form	Oil clamp disc
	Parking brake form	Manual internal expansion hoof type

OPERATING RANGE		
A	Overall length(Standard bucket)	4890mm
B	Wheelbase	1800mm
C	Overall height	2580mm
D	Height of seat to ground	1400mm
E	Departure angle	27.5°
F	Approach angle	46.5°
G	Overall width	1200mm
H	Work distance	410mm
I	Max.unloading angle	53°
J	Dumping height	1720mm
K	Loading height	2315mm
L	Bucket hinge point height	2560mm
M	Overall working height	3000mm
N	Max. horizontal pushing depth	80mm
O	Axis to bucket pin	435mm
P	Max. digging depth	2460mm
Q	Max. vertical digging depth	2070mm
S	Max. digging height	3340mm
T	Max. dumping height	2380mm
U	Max.digging radius at the excavation end	3350mm
V	Min. swing radius at the excavation end	1190mm
R1	Left and right swing angles of excavation end	86°
R2	Corner	37°(40°)
R3	Horizontal passing radius	3075mm
R4	Turning radius	2890mm
R5	Inner turning radius	2000mm



www.rhinoexcavator.com



SHANDONG KEN STONE HEAVY MACHINERY CO.,LTD



Address : Dingyuanzhai Industrial Park,Guan County,Liaocheng city, Shandong Province, China
 Postal code : 252512
 Website : www.rhinoexcavator.com
 E-mail : office@sdxiniu.com

Factory visit

XN228

BACKHOE LOADER