

# RHINOCEROS

## XN903

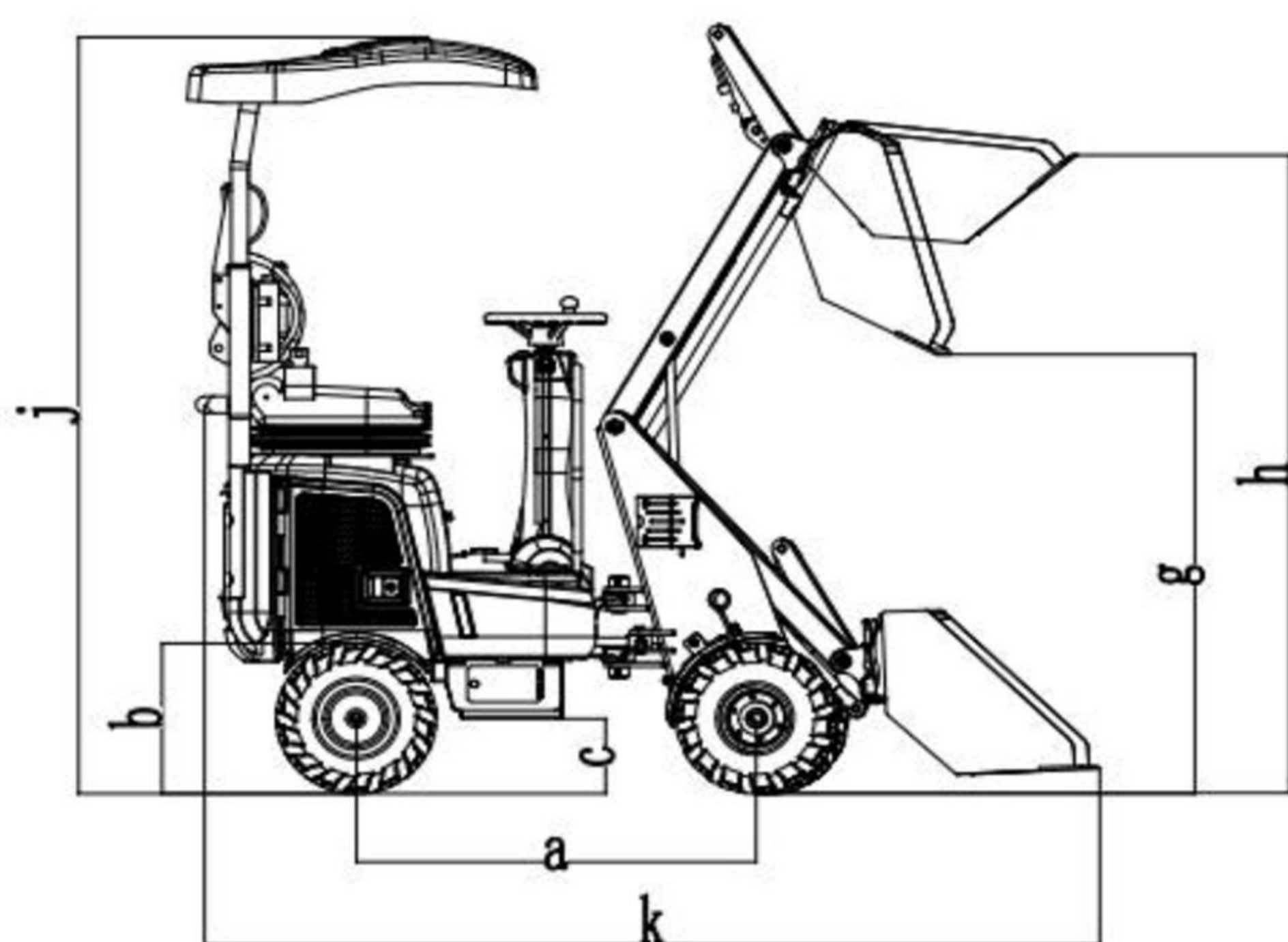
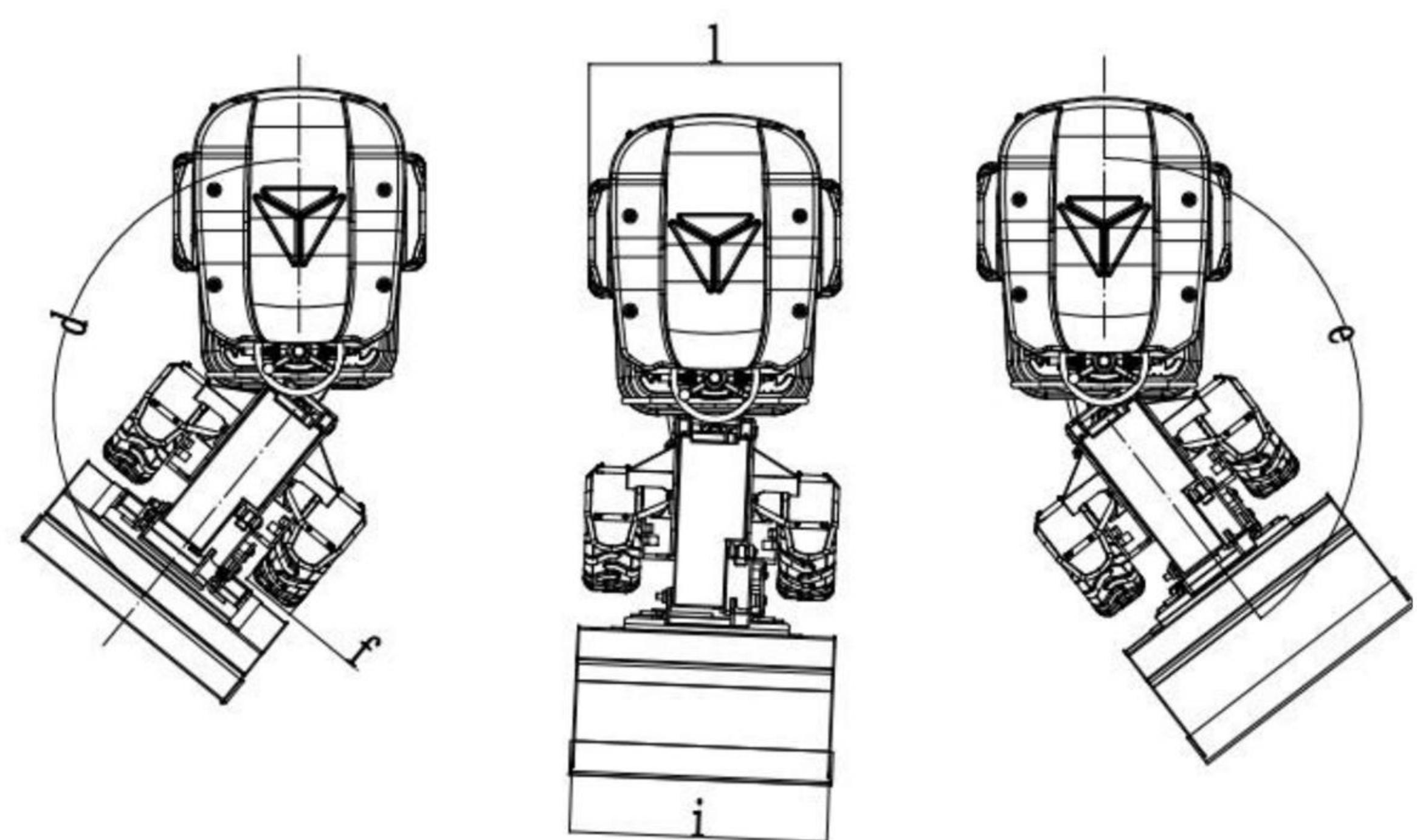
### MINI LOADER

#### SPECIFICATION

Operating weight	1030kg	
Working device form	Shovel	
Loading bucket capacity	0.16m³	
Engine	Model No.	KUBOTA D722
	Displacement	0.719 L
	Rated power	10.2Kw3130r/min
	Max. torque	42N.m/2000r/min
Speed and digging force	Max.travel speed	5km/h
	Max. gradeability	30°
Wheel	Pressure	30bar
	Material	Rubber
Hydraulic and liquid capacity	Pump type	Plunger pump
	Work pressure	21MPa
	Flow rate	50.4L/min
	Hydraulic oil tank capacity	16 L
Traveling motor	Fuel tank capacity	11 L
	Displacement	291cm³/min

#### MAIN DIMENSIONS

a	Wheelbase	1160mm
b	Tire diameter	465mm
c	Platform ground clearance	228mm
d	Max. right turn angle	38°
e	Max. left turn angle	38°
f	Tire width	216mm
g	Max. dumping height	1330mm
h	Flat end height	1925mm
i	Loading bucket width	1000mm
j	Overall height	2295mm
k	Overall long	2560mm
l	Total Tire Width	1004mm



#### OPERATING RANGE

A	Max. propulsion depth	230mm
B	Max. lifting height of bucket	1925mm
C	Unloading angle	72°
D	Turning radius	2500mm
E	Max. dumping height	1925mm
F	Max. driving speed	5km/h
G	Max. lifting weight	450kg

[www.rhinoexcavator.com](http://www.rhinoexcavator.com)



SHANDONG KEN STONE HEAVY MACHINERY CO.,LTD



Address : Dingyuanzhai Industrial Park,Guan County,Liaocheng city, Shandong Province, China  
 Postal code : 252512  
 Website : [www.rhinoexcavator.com](http://www.rhinoexcavator.com)  
 E-mail : [office@sdxiniu.com](mailto:office@sdxiniu.com)

Factory visit

## XN903 MINI LOADER